

Brunner Enterprises™ Inc.

Toll-Free (877) 299-2622; Fax (716) 826-3054

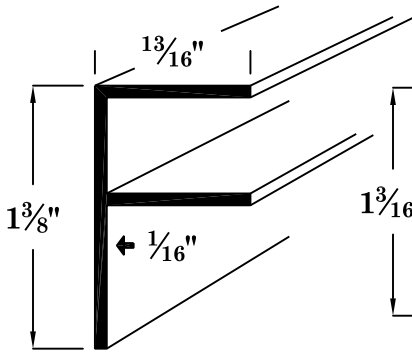
www.brunnerent.com

2015

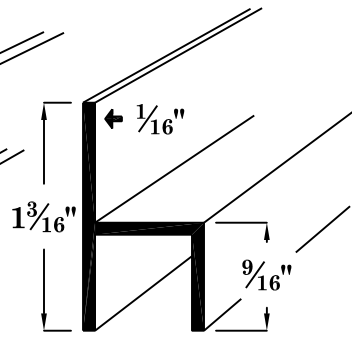
for 1/2" material

Lengths: 24 ft, 12 ft, 8 ft, 6 ft & 4 ft

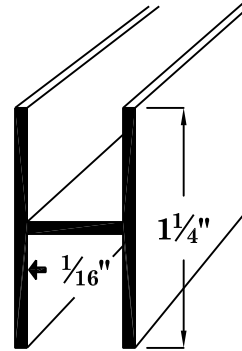
* 12 ft, 6 ft & 4 ft only



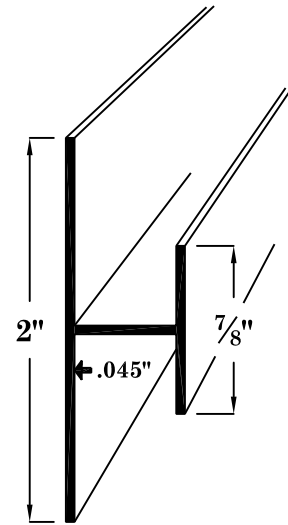
F500 S



H500 S

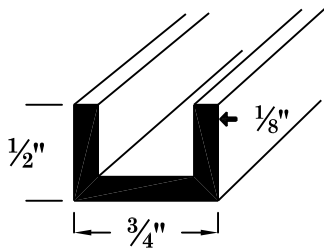


HU500 S

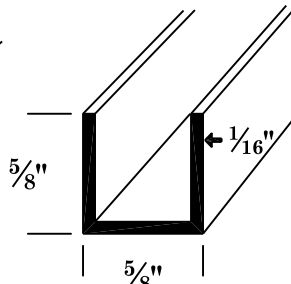


G501 S

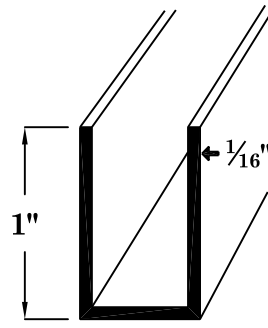
12', 8', 6' & 4'



C40812 S

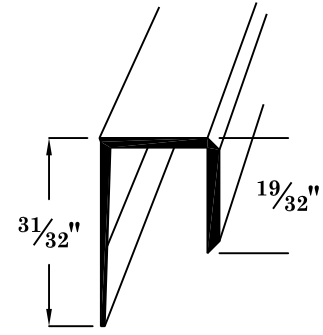


C21010 S



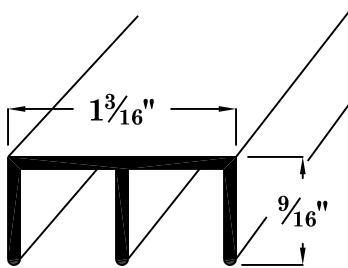
C21610 S

12', 8', 6' & 4'



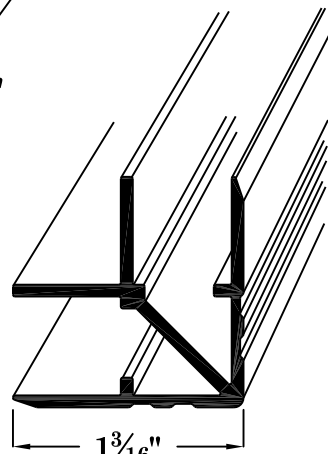
G1251 S

12', 8', 6' & 4'

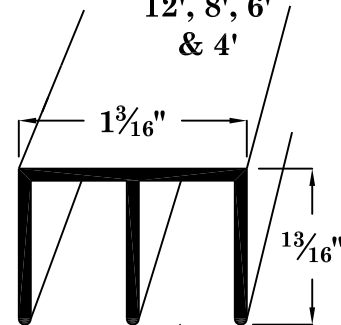


D & C

D1104 S*



G500 S



D & C

D1105 S*