

# Brunner Enterprises™ Inc.

Toll-Free (877) 299-2622; Fax (716) 826-3054

[www.brunnerent.com](http://www.brunnerent.com)

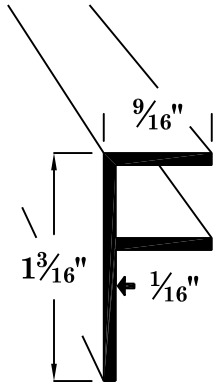
# 2015

## for 3/8" material

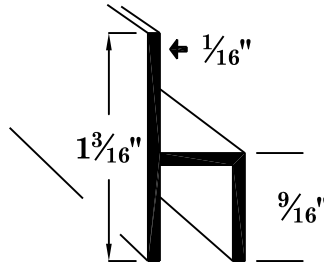
Lengths: 24 ft, 12 ft, 8 ft, 6 ft & 4 ft

\* 12 ft, 6 ft & 4 ft only

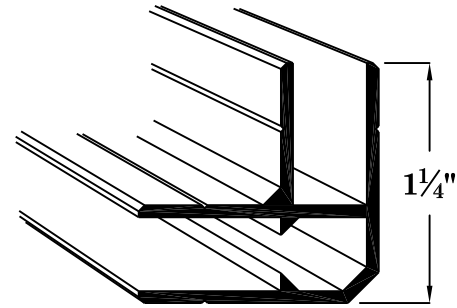
\*\*12 ft, 8 ft, 6 ft & 4 ft



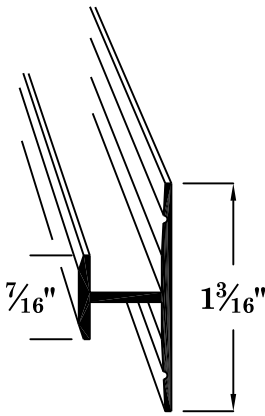
**F375 S**



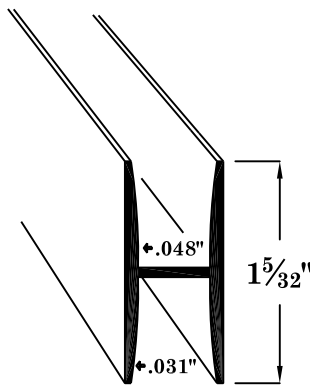
**H375 S**



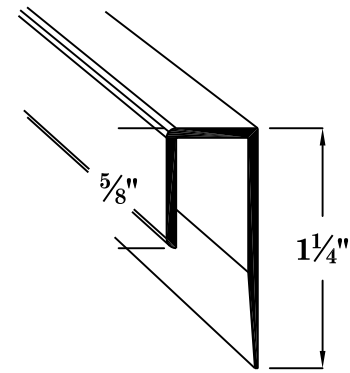
**G375 S\*\***



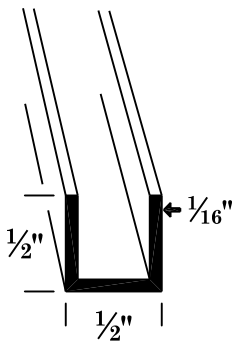
**G855 S\***



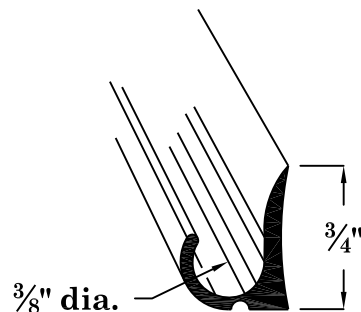
**HU374 S\*\***



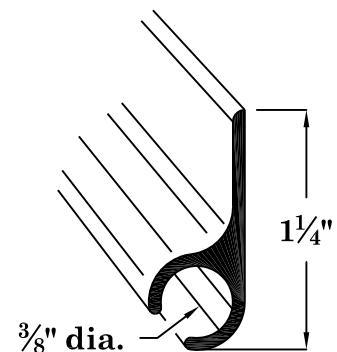
**G1275 S\*\***



**C20808 S\*\***



**M174 S\* & SL\***  
Drip Rail



**M172 S\***  
Awning Rail

**Finishes:**  
S Satin Etch  
SL Silver Luster