

Brunner Enterprises™ Inc.

Toll-Free (877) 299-2622; Fax (716) 826-3054

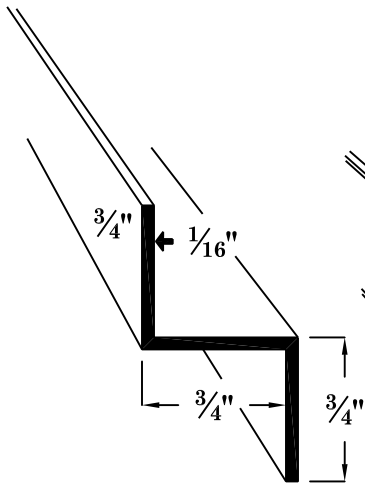
www.brunnerent.com

2015

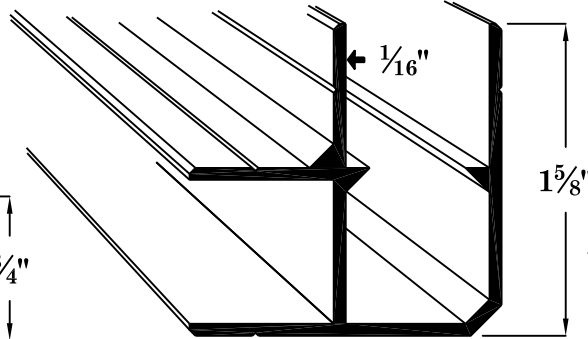
for 3/4" material

Lengths: 24 ft, 12 ft, 8 ft, 6 ft & 4 ft

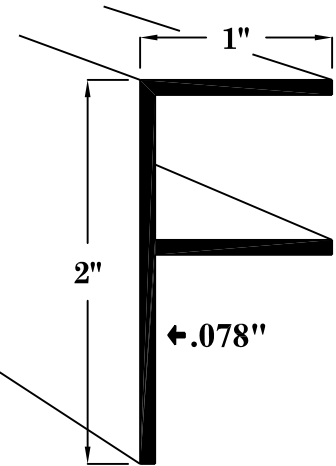
* 12 ft, 6 ft & 4 ft only



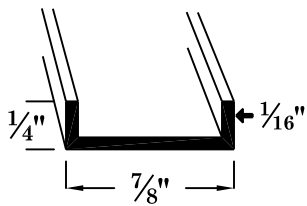
Z21213 S



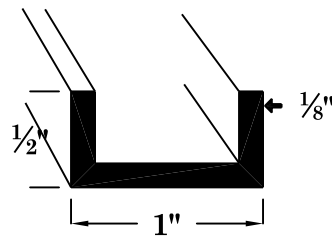
G750 S



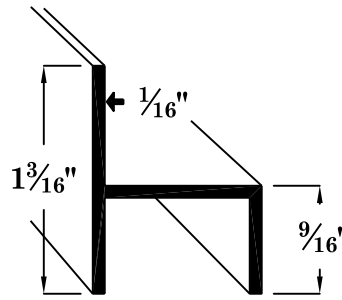
F750 S



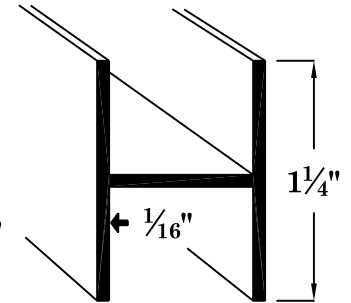
C20414 S**



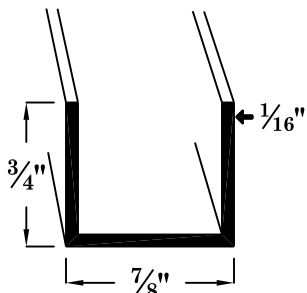
C40816 S



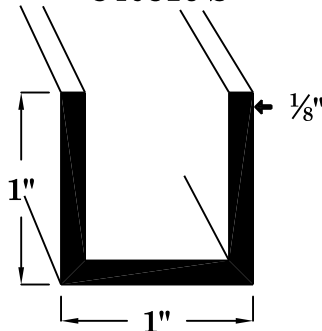
H750 S



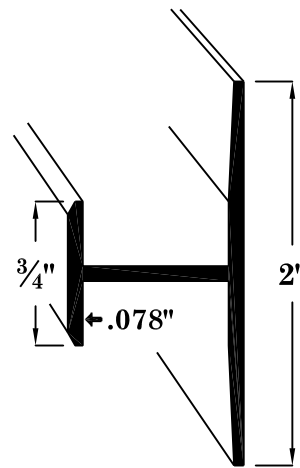
HU750 S



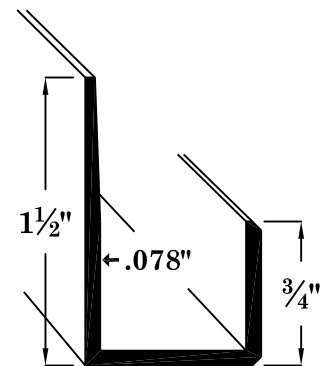
C21214 S



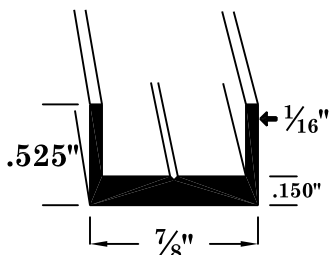
C41616 S



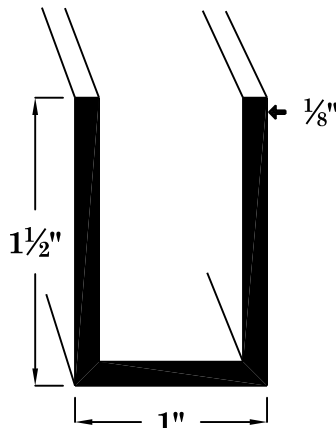
G751 S



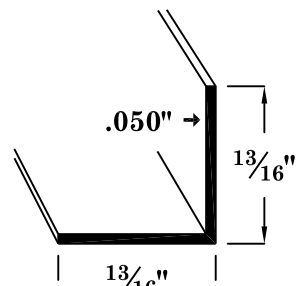
G752 S



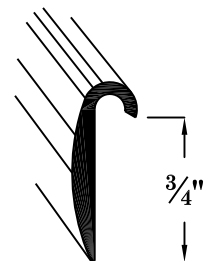
G203 S
96", 48",
32" & 24"



C42416 S



A213 S



M461 SL 12' & 6'