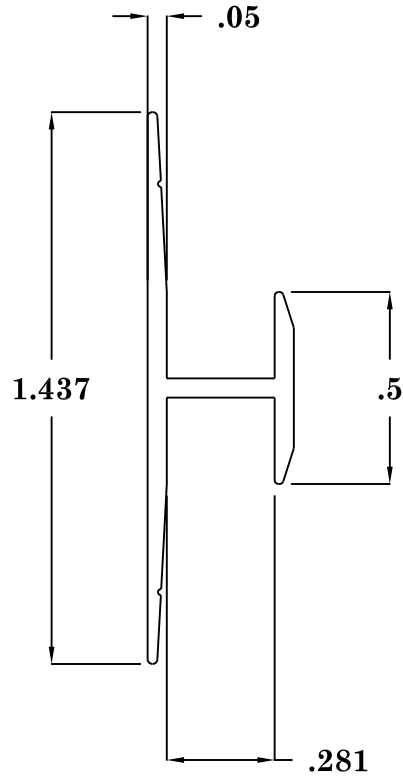


REVISIONS

ZONE	REV	DESCRIPTION	DATE	APPROVED



**Actual**

Alloy 6063-T5  
 Metal: .050" typ.  
 All corners .015" R  
 Est. Wt. .110 #/ft.  
 PPI 4.30 in.  
 Industry Standard tolerances

**Brunner Enterprises™ Inc**

100 Ridge Road, Lackawanna, NY 14218  
 (877) 299-2622 toll-free (716) 826-3054 fax  
 www.brunnerent.com

	SIZE	FSCM NO.	DWG NO. <b>G850</b>	REV
	SCALE 2:1		SHEET	