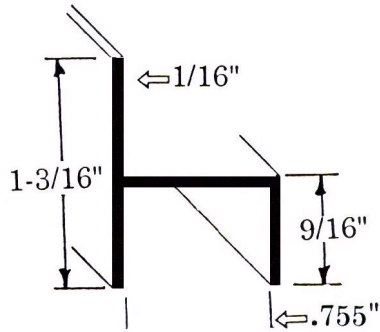


BRUNNER ENTERPRISES *inc.*

anodized aluminum shapes

H750; for 3/4 in.



Stock# H750

Dimensions for 3/4 in. material (.755 in. open)

Finish Satin Anodized

Email dbrunner@brunnerent.com

Lower case 'h' section for 3/4" material.

Stocked in a Satin Anodized Finish in 24 ft., 12 ft., 8 ft., 6 ft. and 4 ft. lengths. See above document link to display all sections for 3/4" material in a Table View.