

Brunner Enterprises™ Inc.

Toll-Free (877) 299-2622; Fax (716) 826-3054

www.brunnerent.com

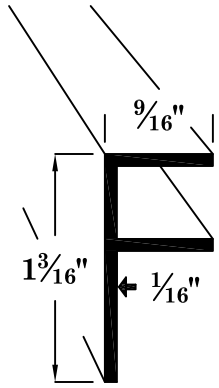
2019

for 3/8" material

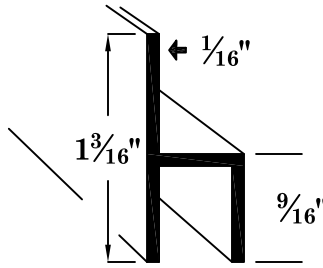
Lengths: 24 ft, 12 ft, 8 ft, 6 ft & 4 ft

* 12 ft, 6 ft & 4 ft

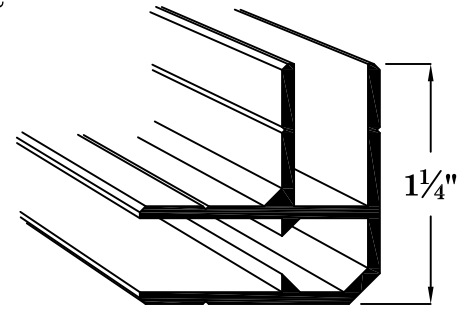
**12 ft, 8 ft, 6 ft & 4 ft



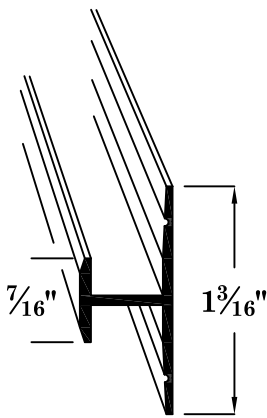
F375 S



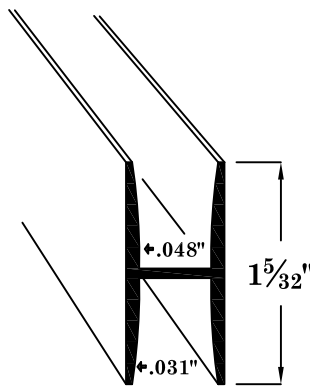
H375 S



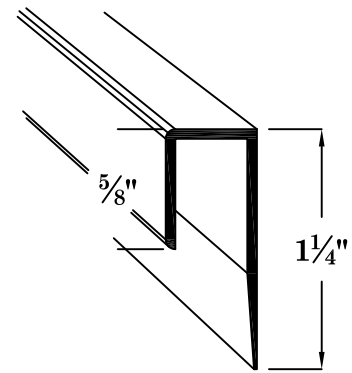
G375 S**



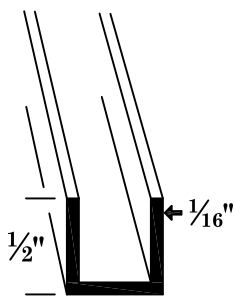
G855 S**



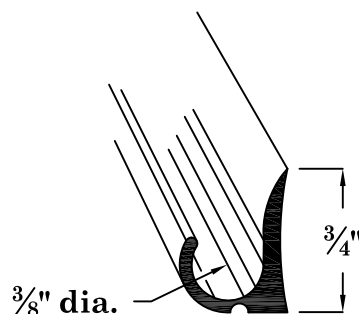
HU374 S**



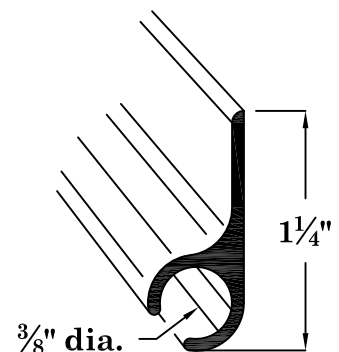
G1275 S**



C20808 S**



M174 S* & SL*
Drip Rail



M172 S*
Awning Rail

Finishes:
S Satin Etch
SL Silver Luster